

 CLAROFLEX®
Pivot





**WE INTRODUCE YOU TO THE NEW AND EXCLUSIVE
CLAROFLEX® PIVOT GLAZING SYSTEM**

The best solution for your home and business.
Thanks to our system, you can easily enlarge the useful area of your balcony,
winter garden, sunroom or terrace and create a new comfortable room
to enjoy throughout the year.



1

WE MANUFACTURE THE SYSTEM IN EUROPE, AS HAVING HIGH QUALITY PRODUCTS WITH A LONG LIFE SPAN IS EXTREMELY IMPORTANT FOR US.

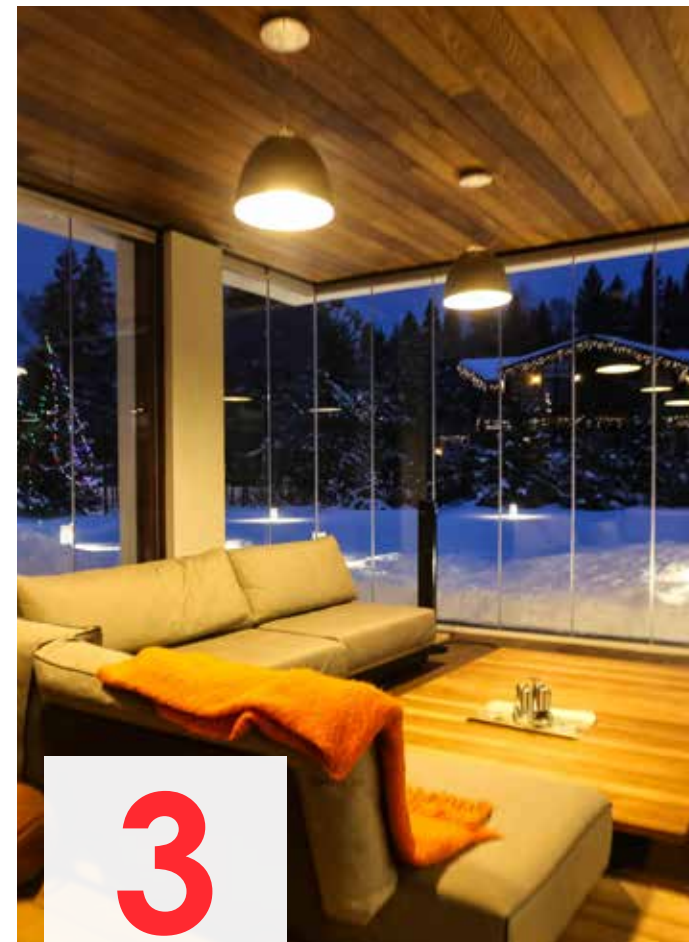
All EU-manufactured components have passed the necessary tests, obtaining the correspondent certifications.



2

CONTRARY TO OTHER MANUFACTURERS, THE PANELS WEIGHT DOES NOT HANG FROM THE CEILING BECAUSE WE WANT THE SYSTEM TO BE THE SAFEST POSSIBLE FOR YOU AND YOUR FAMILY.

Our bottom-weighted system is more steady while in use and it is more resistant to wind gusts.



3

OUR SYSTEM IS THE MOST AIRTIGHT ON THE MARKET, WHICH ALLOWS YOU TO USE IT COMFORTABLY THROUGHOUT THE YEAR.

According to the tests results, CLAROFLEX® Pivot is the most hermetic system of its class, especially if combined with our SideLock system and our 'H' sealing strips.



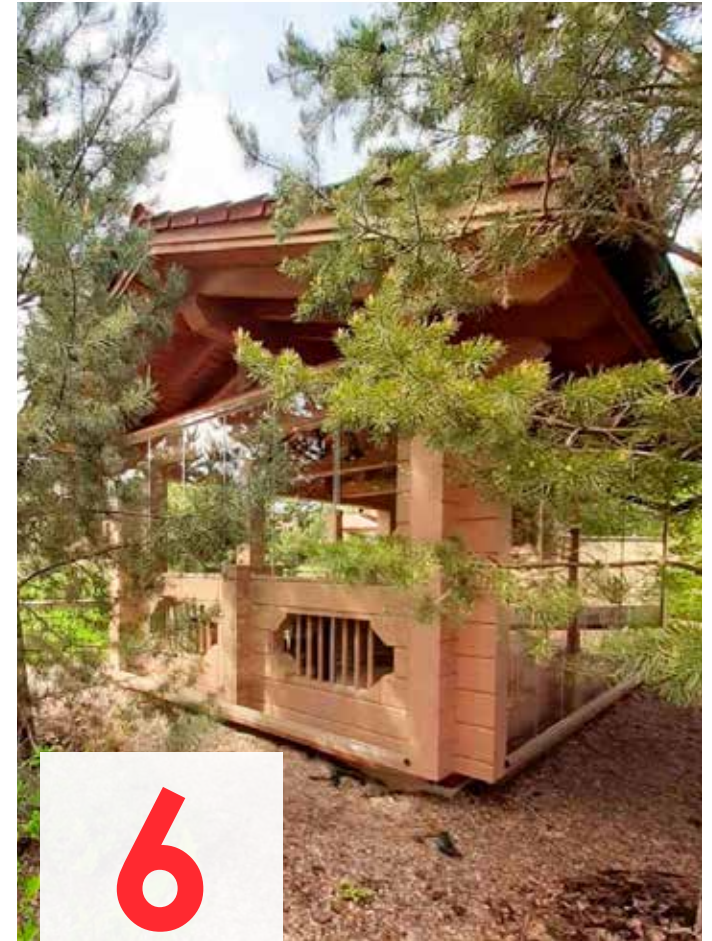
WE DO NOT USE ANY BEARINGS SINCE WE DO NOT WANT YOU TO DO ANY KIND OF ADDITIONAL MAINTENANCE NOR PRODUCE ANY SOUND WHILE GLIDING THE PANELS.

Panels glide silently on the sliding surface.



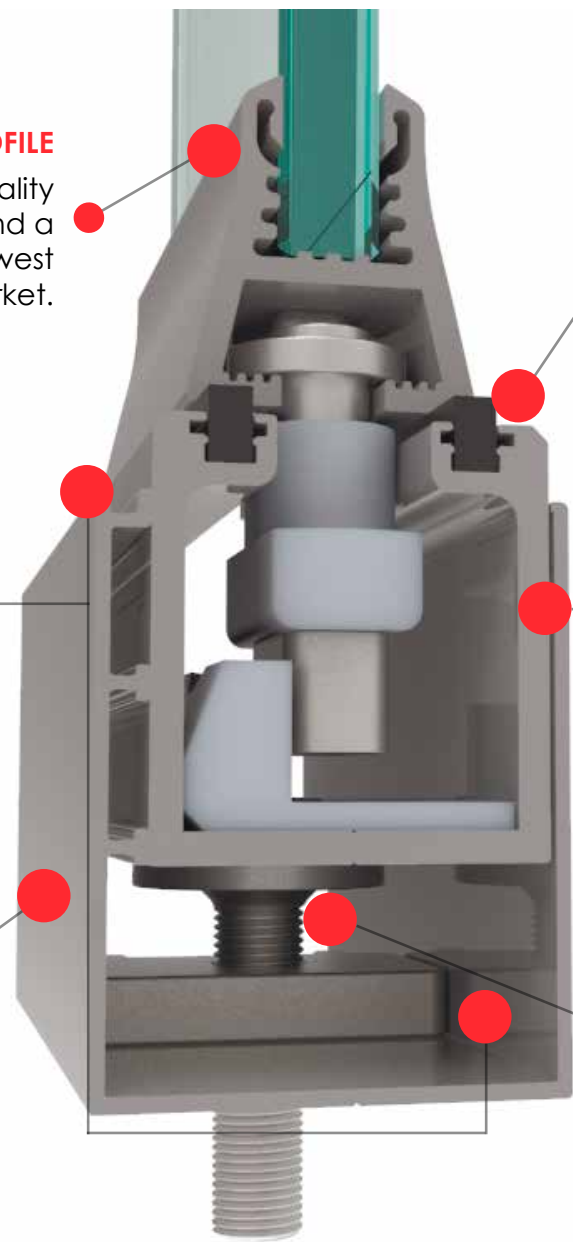
OUR SYSTEM FITS PERFECTLY IN ANY OPENING BECAUSE WE OFFER A LARGE RANGE OF CONFIGURATIONS WHICH ALLOW YOU TO STACK THE PANELS WHERE YOU CHOOSE.

The panels open either inwards or outwards and glide in any chosen direction.



OUR PROFILES' DESIGN MAKES FOR EASY LEVELLING, WHICH HELPS TO OBTAIN A BETTER AND MORE EFFICIENT INSTALLATION AND SIMPLIFIES ANY FURTHER ADJUSTMENT WHEN NEEDED.

The system can correct uneven openings up to 68 mm when using both bottom and top levelling profiles.



PANEL PROFILE

A symmetrical profile made of high-quality aluminum with reinforced strength and a height of only **32 mm**. One of the lowest profiles on the market.

SLIDING SURFACE

Ultra-high-molecular-weight, self-lubricating polymer with a low coefficient of friction. High resistance to temperature changes.

DRAINAGE

Drain holes are drilled through both tracks and allow the water that finds its way into the bottom to drain away.

TRACK

A symmetrical profile made of high quality aluminium and only **40 mm high**. It is used both at the bottom and top of the system.

LEVELLING TRACK

54 mm high aluminum profile designed to compensate the unevenness of both the floor and the ceiling. Using the levelling track will allow you to adjust the height of the system.

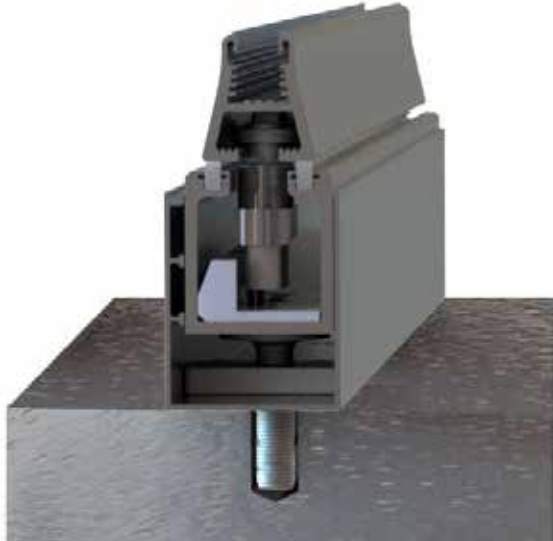
LEVELLING SCREW

A strong and reliable screw with an excellent regulation capacity (up to **34 mm** with one leveling profile or **68 mm** with two).

POSSIBLE CONFIGURATIONS WITH LEVELLING PROFILE

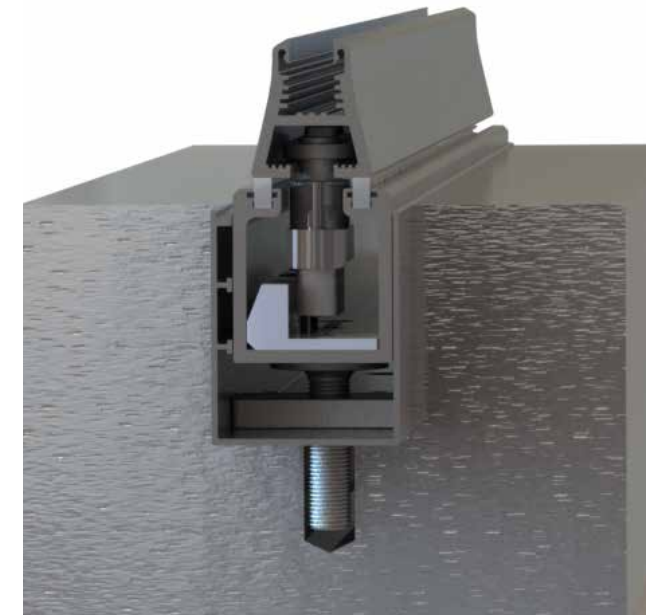
SYSTEM INSTALLED OVER THE FLOOR

The ensemble of both the levelling profile and bottom track is only **54 mm** high and it is installed over the finished floor. This configuration is perfect for balconies and openings where passage is not very frequent.

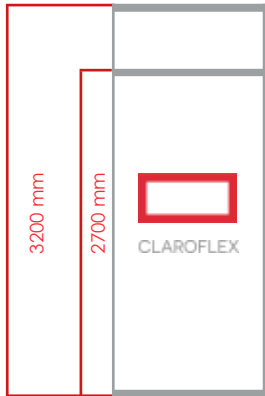


RECESSED SYSTEM

The ensemble of both the levelling profile and bottom track is only **54 mm** high and it is embedded in the floor, previously adapted for this purpose. This configuration is perfect for openings with very frequent passage.



CLAROFLEX® PIVOT SYSTEM FEATURES

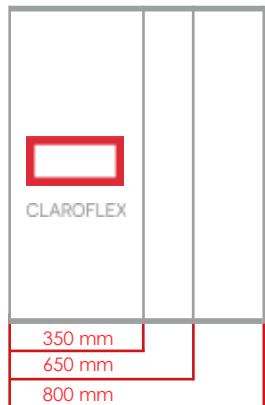


SYSTEM HEIGHT:

Maximum system height with 8 mm glass is 2700 mm.

Maximum system height with 10 mm glass is 3200 mm.

Maximum system height with 12 mm glass is 3200 mm.

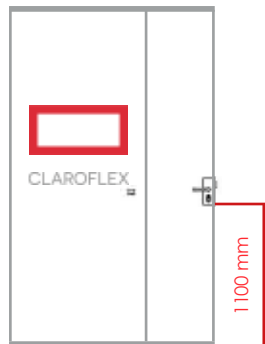


PANEL WIDTH:

Recommended width: 650 mm.

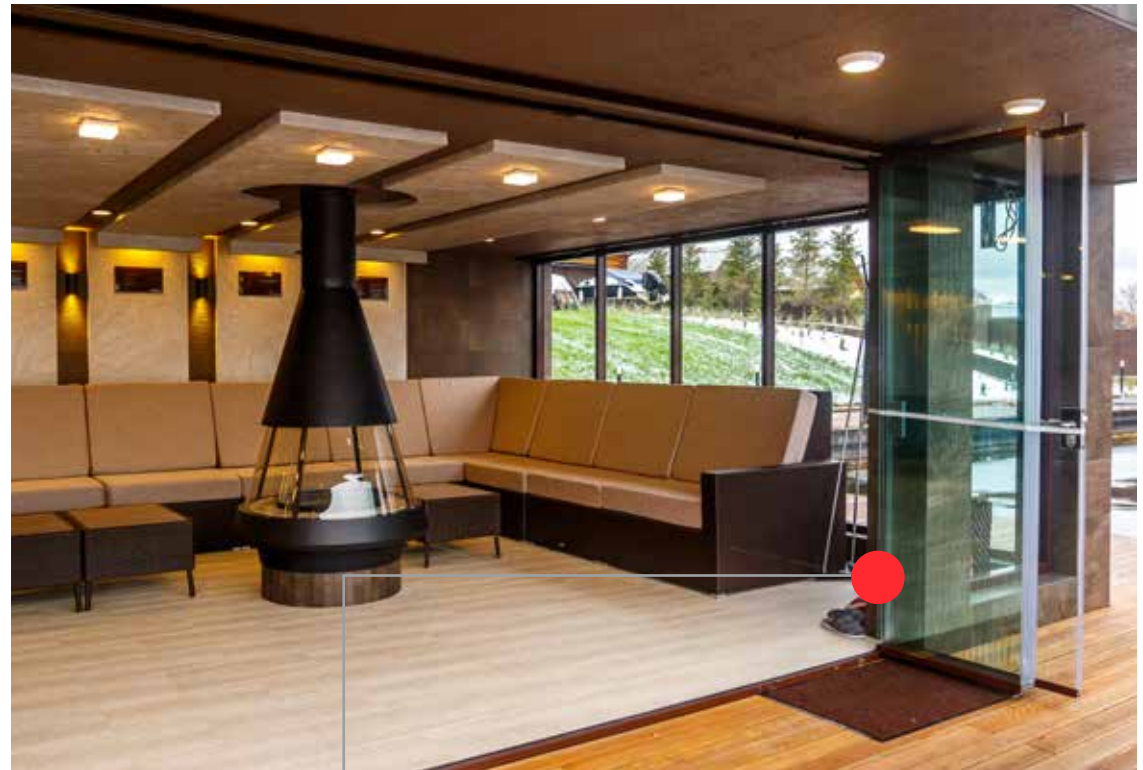
Maximum panel width: 800 mm.

Minimum panel width: 350 mm.



INSTALLATION OF DOOR COMPONENTS:

Locks are usually set at 1100 mm from the floor.



PANEL WIDTH VARIES BASED ON THE SELECTED SECURITY LOCK:

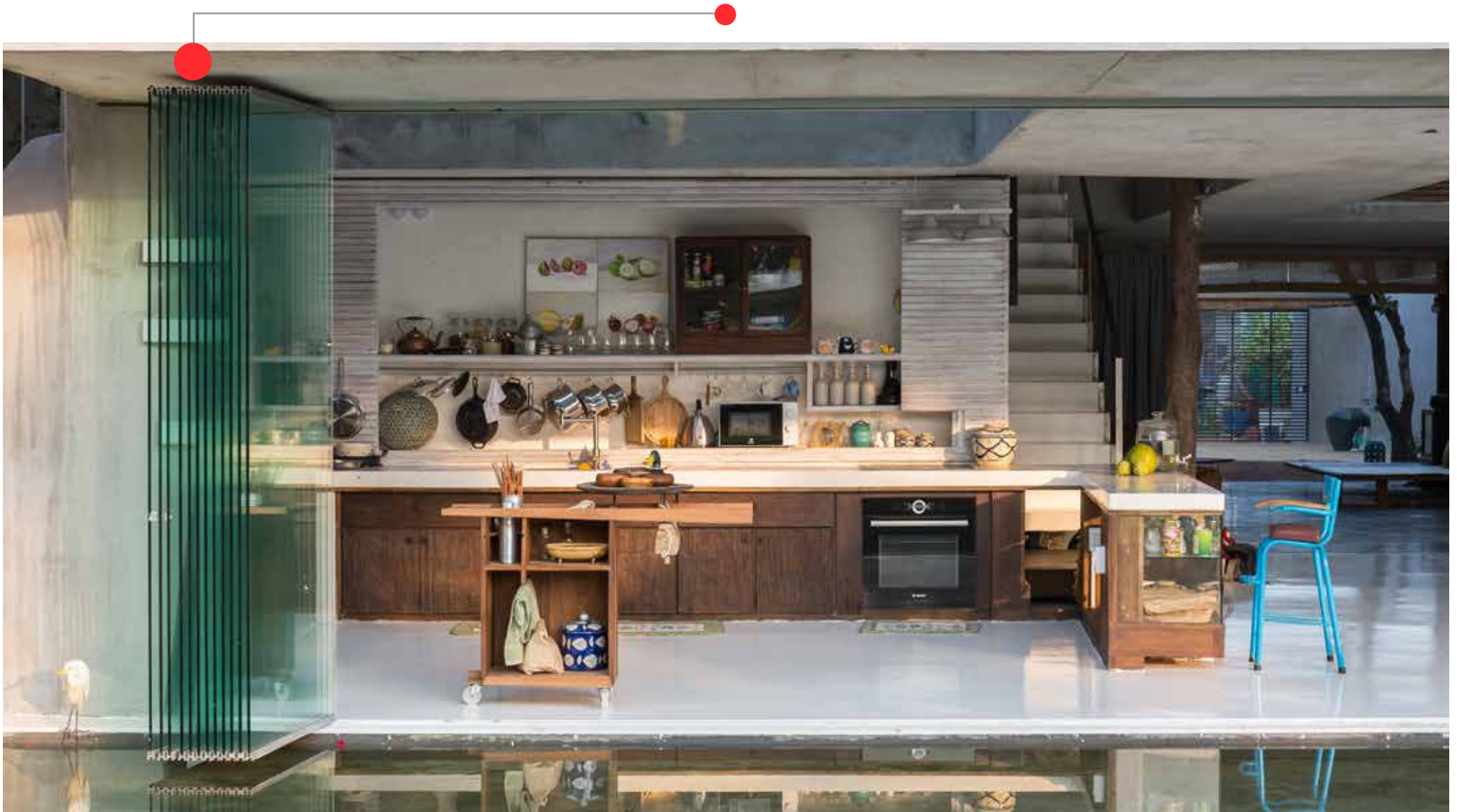
When using a long handle lock, the panel's width increases in 190 mm.

When using a short handle lock, the panel's width increases in 100 mm.

For a system using standard bottom and top locks and glass knob, it is not necessary to increase the panel's width.

CLAROFLEX® PIVOT SYSTEM FEATURES

Panel stacking points can be placed in one or both ends of the opening, or even in the middle, without the need of additional structural tubing. Each opening can stack up to 18 panels.



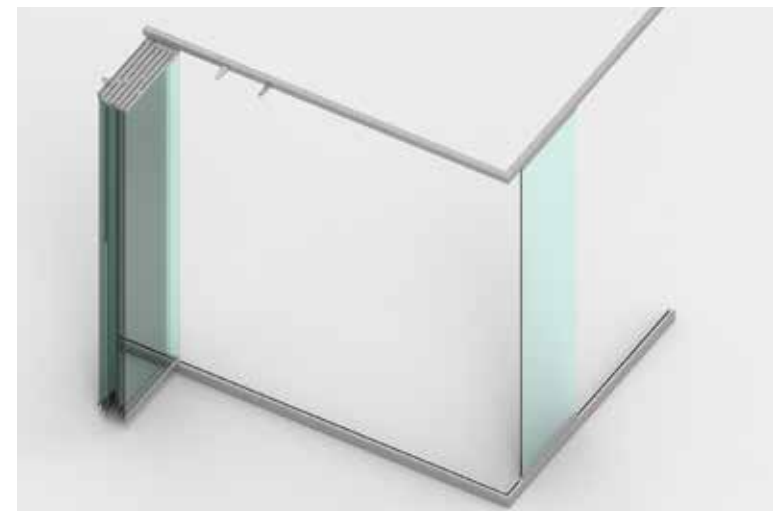
CLAROFLEX® PIVOT SYSTEM FEATURES



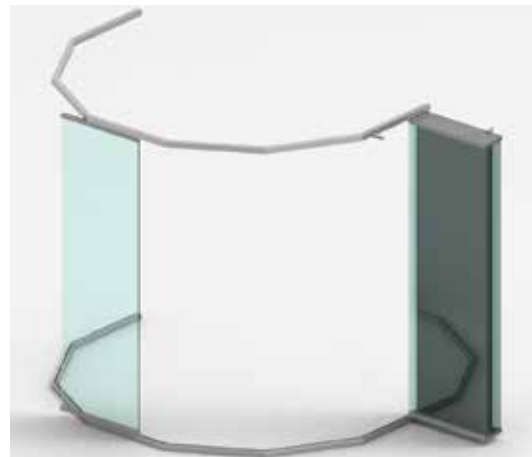
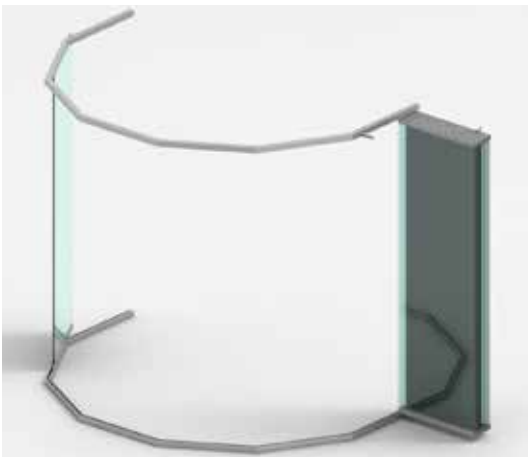
Panels can move through corners with angles between 90° and 270° .



Glazings with a corner joint do not require any additional structural reinforcement.



CLAROFLEX® PIVOT SYSTEM FEATURES

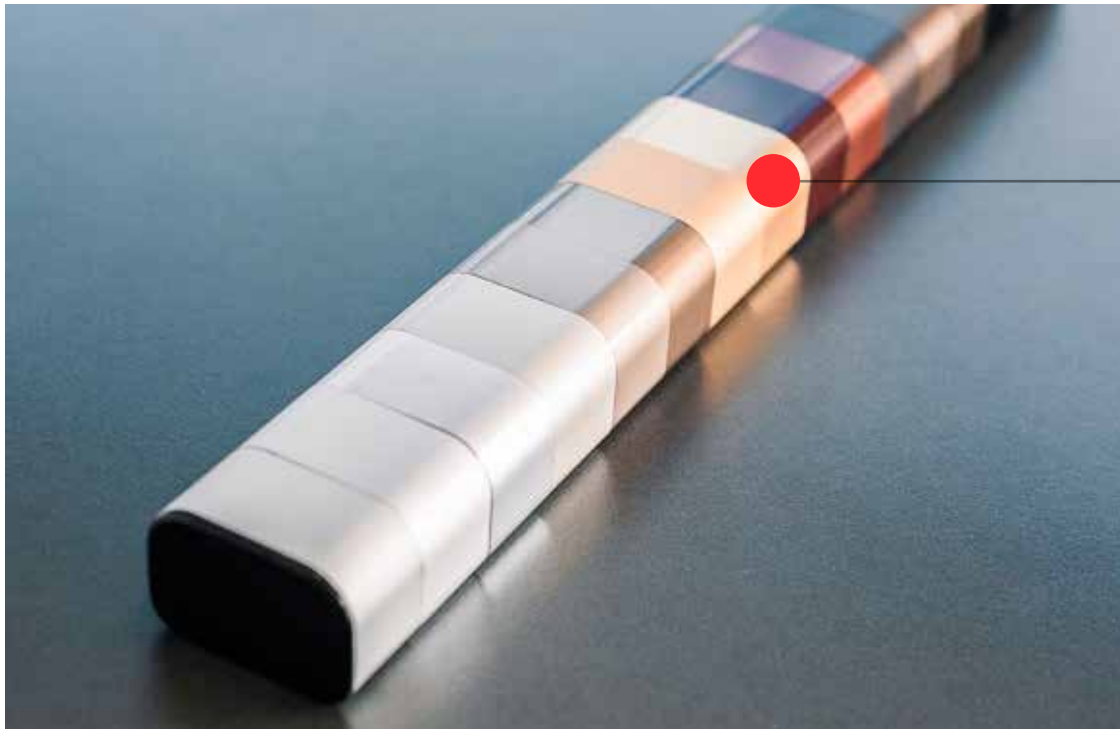


Panels can move through angled openings and several corners, stacking to one or both ends.

When designing the glazing in a corner or angle configuration, it is necessary to take into account the distance to any obstacles, such as columns, structural tubings or railings, since panels exit the glazing perimeter when gliding through the corners.

CLAROFLEX® PIVOT PROFILE

The system can be customized as per your needs and to match the existing structure.



ANODISED

We have a wide range of anodised colors with the possibility of supplying matte, gloss and high gloss finishes. The standard thickness of this coat is **15 - 20 microns**.

RAL COATING

You can also choose any RAL colour from the RAL chart.

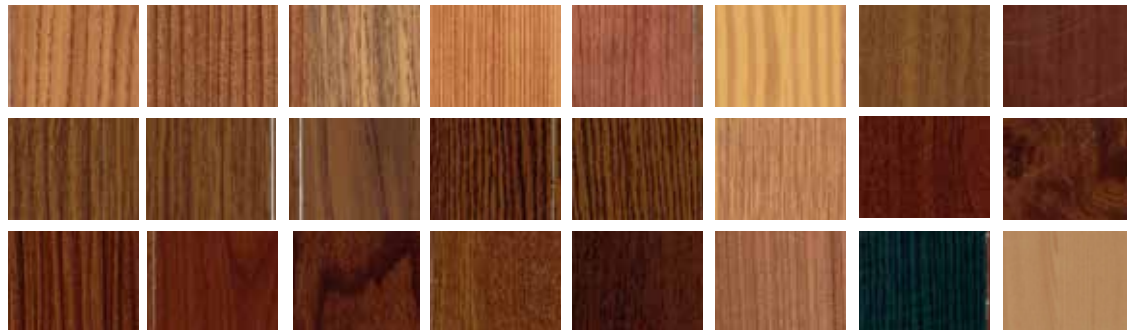


CLAROFLEX® PIVOT PROFILE



WOOD-LIKE FINISHES

Decorative coatings that imitate the design and texture of different types of wood.



DIFFERENT GLASS CUSTOMISATIONS:

- solar control glass,
- etched/patterned glass,
- tinted glass using either a polyvinyl butyral or exterior layer with or without solar control or reflection properties.



Depending on the height of the system, you can use 8, 10 or 12 mm tempered or laminated glass.

CLAROFLEX® PIVOT BRUSH



BRUSH

It offers a silent functioning of the system while it ensures the sealing between the panels and the top track.



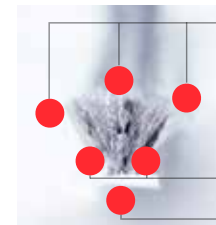
Black



Grey

TRIPLE BRUSH

It is recommended for exterior use when added to our Side Lock system to better endure strong gusts of wind, creating a single-panel effect when the system is closed. It gives more insulation to the system and reduces the heat loss.



3 layers of fabric coated with an antimicrobial compound.

2 layers of high-quality brush.

Strong base made of propylene.

SLIDING SURFACE

Made of polymer with a low friction coefficient, it is placed on the bottom track to guarantee a smooth glide of the panels along the system.



Black



White



Grey

CLAROFLEX® PIVOT SEALING STRIPS

PVC SEALING STRIPS:

Hard PVC strips are fitted between panels to improve the system's watertightness. Flexible strips and bubble strips are installed at the ends of the system, closing any possible gaps between the panels and the walls.

Sealing strips' dimensions vary depending on the chosen glass thickness and the height of the system.



«H» strip



«H» strip UC*



«h» strip



«h» strip UC*



Bubble strip



Flexible strip



Open «D» shaped strip



Open «D» shaped strip for caps

CLAROFLEX® PIVOT CONFIGURATIONS



Two sides opening: both right and left.



One side opening: left or right. A maximum of 18 panels can be stacked on a single opening.



Outward opening: Top and bottom locks can be installed inside or outside.



System with 90° corners: All the panels move through the corners and are stacked on one side.



Fixed frameless door with hydraulic hinge: The rest of the panels are stacked on the other side.



System with corners larger than 90°: All the panels move through the corners and are stacked on one side.



System with different corners: All the panels move through the corners and are stacked on one side.



Fixed door with hydraulic hinge and top frame: The rest of the panels are stacked on the other side.

CLAROFLEX® PIVOT CONFIGURATIONS



ARMLESS SYSTEM

With our armless configuration you can place curtains or blinds very close to the system. In addition, closing the door panel is much easier as the upper latch engages automatically when pushing the panel.



DOOR WITH HYDRAULIC HINGE

In order to provide an easier access into the room, it is possible to install a fixed independent door with a safety lock using a standard hydraulic hinge, fully compatible with CLAROFLEX® Pivot system, which will allow you to open the door in any chosen direction.

CLAROFLEX® PIVOT CONFIGURATIONS



OUTWARDS OPENING CONFIGURATION

The system can be also opened outwards in either one or several stacking points for a more convenient placement of the furniture or other decoration in the room. In addition, the doors can get the top and bottom locks in either side of the system: interior or exterior.

CLAROFLEX® PIVOT CONFIGURATIONS

SIDELOCK SYSTEM

A SideLock is made up of two profiles: the fixed one holds the handle while the second one is movable and produces the pressure that closes and locks the system.

When turning the handle 180° the system applies the maximum pressure over the panels, making the system more watertight.



TECHNICAL SPECIFICATIONS:

Maximum system height: 3200 mm.

Maximum pressure to system: 300 Kg.

Maximum wind load: 239 Km/h.

20% soundproofing increase.

20% heat loss reduction.

Lock type: lock with or without cylinder in one or both sides.

Installation recommendations:

High wind load areas, coastal regions, very rainy climates and areas with continental climate.

Configuration customisation:

- Profiles can be customised by applying any ral, anodise, or wood-like finishes.
- Handles can be customised by applying any chosen RAL.

CLAROFLEX® PIVOT CONFIGURATIONS



Single 180° SideLock with key



Double 180° SideLock with one key



Single 180° SideLock without key



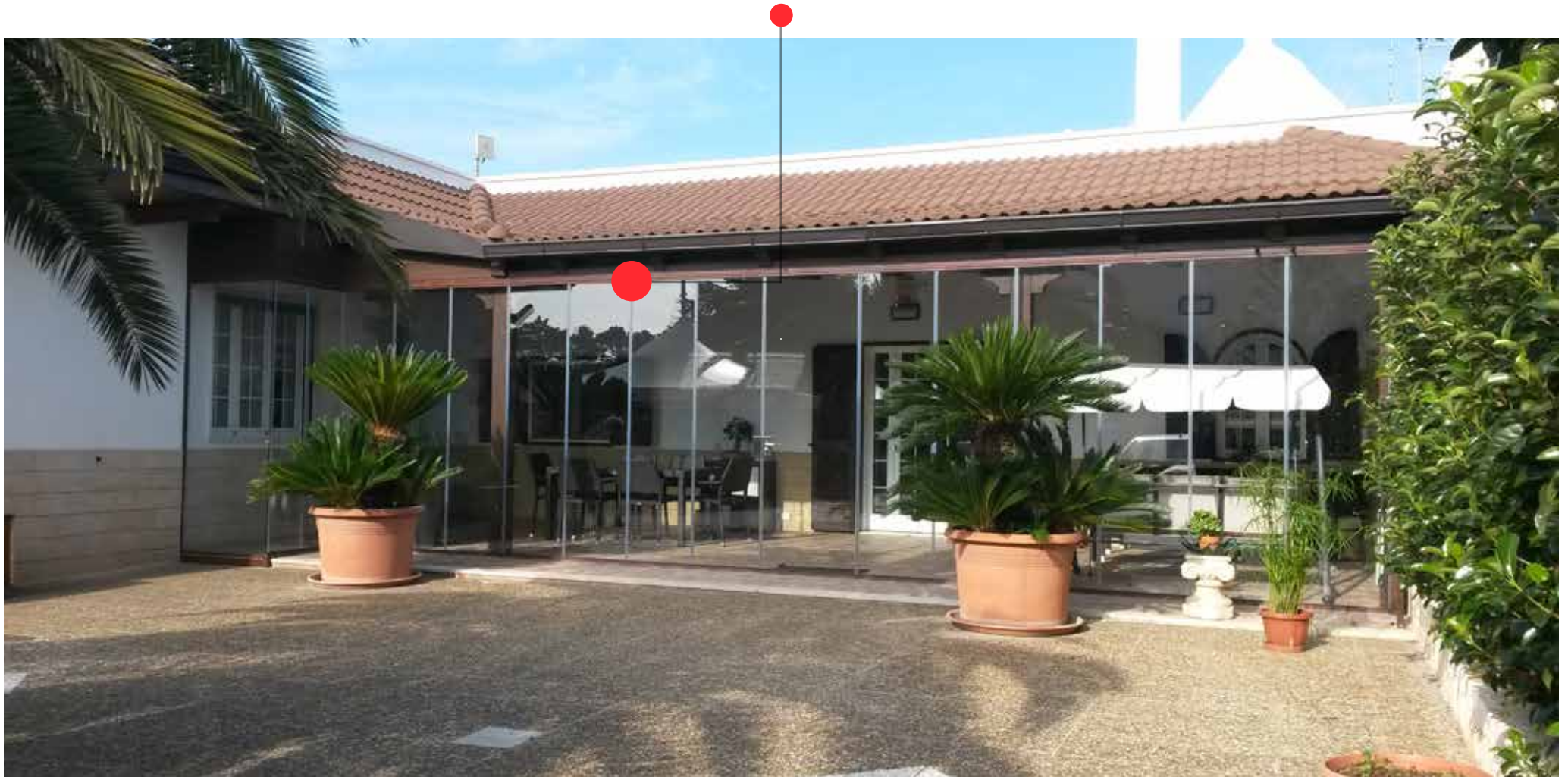
Double 180° SideLock without keys

CLAROFLEX® PIVOT CONFIGURATIONS

SLIDING DOOR

Our CLAROFLEX® SlidingDoor can be installed anywhere in the system, using it as a normal door and independently of the rest of the panels. Then it can be stacked as the rest of the panels, opening the system completely. It allows any locking system.

The width of the SlidingDoor should not exceed 950 mm.



ADDITIONAL SYSTEM COMPONENTS

STANDARD LOCK

The standard CLAROFLEX® configuration has both top and bottom locks, which are independent mechanisms that prevent unintentional openings of the system.



Top lock



Bottom lock



By using this configuration, you can leave the door in a ventilation position, where the door is locked in a semi-open state, as well as allowing the separation of the individual panels a little bit, leaving space between them for better ventilation.

OTHER LOCKS

SHORT HANDLE LOCK SIS044



SPECIFICATIONS

Dimensions (height x width x depth): 160 x 90 x 130 mm.

Finishings: Polished st/steel – Brushed st/steel.

Glass width: 10 and 12 mm.

Key cylinder on both sides: Yes.

FEATURES

- Stainless steel hardware.
- Stainless steel front.
- AISI 316 stainless steel plates.
- Reversible latch.
- The key moves the latch.
- 40 mm from the glass end to the cylinder centre.

SPECIFICATIONS

Dimensions (height x width x depth): 160 x 160 x 135 mm.

Finishings: Polished st/steel – Brushed st/steel.

Glass width: 10 and 12 mm.

Key cylinder on both sides: Yes.

FEATURES

- Stainless steel hardware.
- Stainless steel front.
- AISI 316 stainless steel plates.
- Reversible latch.
- The key moves the latch.
- 40 mm from the glass end to the cylinder centre.

LONG HANDLE LOCK SIS045



ADDITIONAL COMPONENTS

90° STOP



Designed to hold the panels at a 90° angle, perpendicular to the track. It prevents a door from striking the wall or any object near the system.



STAINLESS STEEL PANEL HOLDER



An elegant holder to secure the panel when they are open. This holder is installed in the bottom track and it is suitable for not-recessed glazings.

ADDITIONAL COMPONENTS



VERTICAL GLASS KNOB



This knob made of optical glass has a hole to contain the rod used in the top track, to secure it and help open the system. The Pivot glass knob can be used for systems that are more than **1,5 m** high.

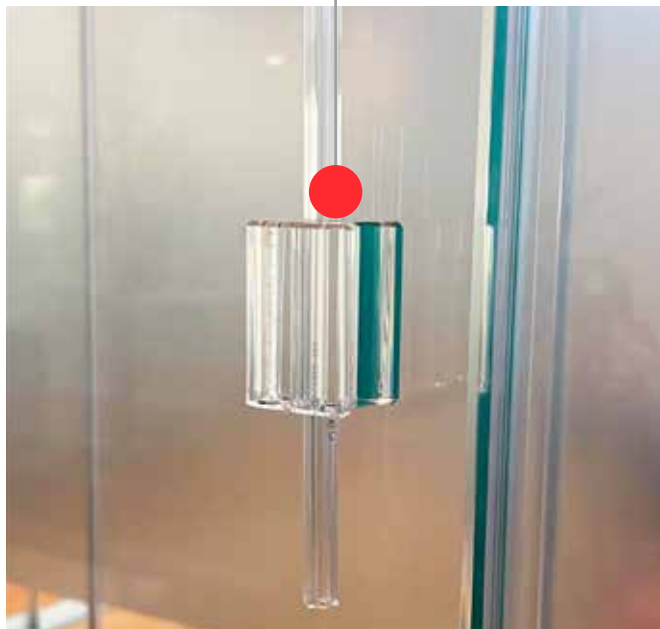


PANEL HOLDER STRAP

GLASS KNOB



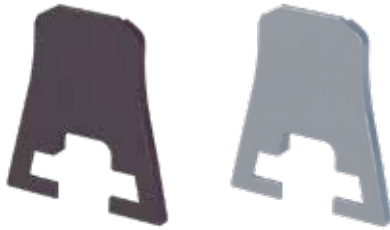
The glass knob is made of optic glass and it is installed together with the bottom and top locks when the glazing is higher than **1,5 m** to guarantee a comfortable opening of the system.



The panel holder strap is made of nylon and guarantees easy adjustment to hold the panels safely in each stacking point. It is installed at a comfortable height from the floor and is included in the standard configuration of the system.

ADDITIONAL COMPONENTS

CAPS



Caps are installed in both ends of the panel profiles and are suitable for straight openings, improving the look of the system, especially when open. We recommend using these caps between the door panel and the adjacent panel in all system configurations.



BOTTOM TRACK COVER



Our bottom track cover has been designed to fully cover the track, protecting the sliding surface. It also provides a safer access to the glazed area, particularly when used in public spaces.

ADDITIONAL COMPONENTS

The profile is completely integrated into the opening and can be customised so it matches the structure's colour.



L PROFILE

The L-shaped vertical profile offers additional watertightness and improved resistance to wind loads. It is installed in both sides of the system: a single profile on the door's opposite opening direction; and double in the other end of the system. This profile configuration offers a better finishing to the system.



U PROFILE

The U-shaped profile is installed in the opposite end to the door and offers additional watertightness and improved resistance to wind loads. We recommend using a combination of the U profile and the L profile next to the door panel.

PIVOT MINI

PIVOT MINI

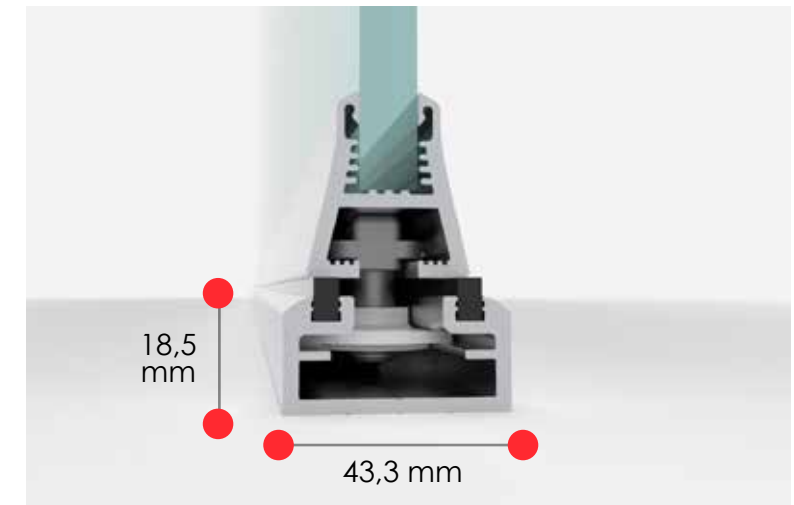
Pivot mini is a system configuration consisting of a mini bottom track and specially designed components for this profile.

The track has a height of **22 mm** and has been specially designed for interior partitioning in homes and offices, to be installed in the finished floor with or without trims.

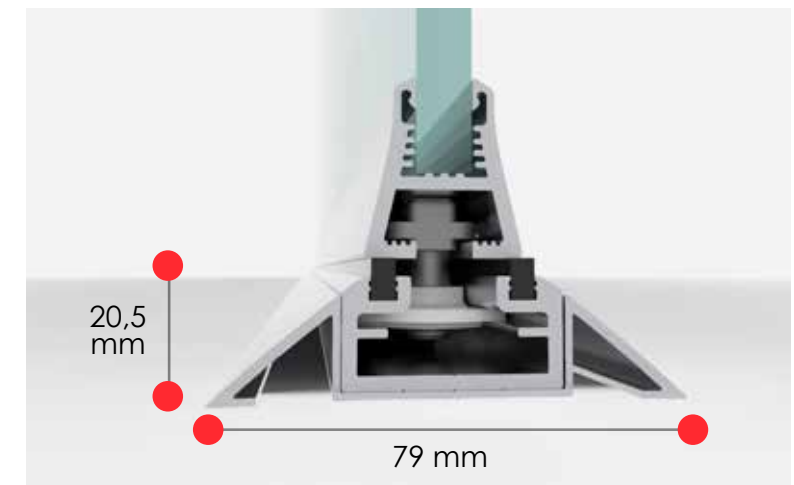
The height of the system in the opening can be levelled by using the top levelling track with levelling screws.



MINI BOTTOM TRACK CONFIGURATIONS



The system is installed on the floor without the trim.



The system is installed on the floor together with the trim.

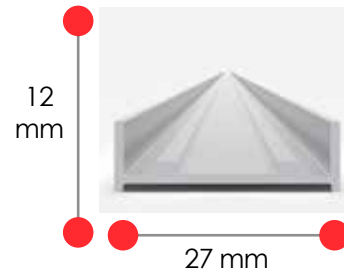
FLY-SCREEN CLAROFLEX®

FLY-SCREEN

Our fly-screen is a pleated net that is placed in the exterior of the glazing. It is composed of aluminium profiles and a mechanically folded polyamide net which spreads out when the system's threads are tightened.

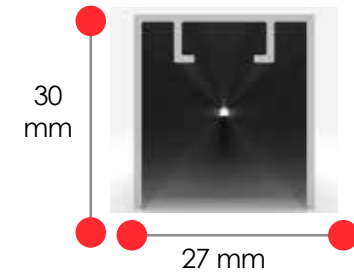
According to the chosen configuration, side or central opening, CLAROFLEX® Screen can either be spread out to a certain number of panels or throughout the entire opening.

Bottom track



The lowest profile on the market.

Top track



Thread-tightness adjustment system.



The Fly-screen profiles are placed parallel to the glazing system tracks.

TECHNICAL SPECIFICATIONS:

Maximum wind load: 37,5 Km/h.
Wind load resistance class: 3.

OPENING MAXIMUM DIMENSIONS:

Maximum height: 3000 mm.
Maximum width:
Up to 4000 mm for side openings.
Up to 8000 mm for central openings.
Maximum net surface: 12 m².

PLEATED NET CHARACTERISTICS:

Net material: High resistance polypropylene.
Thread material: Kevlar.
It offers protection against all type of insects.

CONFIGURATIONS:

Central opening.
Side opening.

FLY-SCREEN CLAROFLEX®



Fully open Fly-Screen with central opening.



Half-open Fly-screen on the left side with central opening.



Fully closed Fly-Screen with central opening.



Half-open Fly-screen on the right side with central opening.

FOR TERRACES



FOR TERRACES

All systems are manufactured according to individual designs and are 100% integrated with the existing structures.



FOR TERRACES



FOR BALCONIES



FOR TERRACES



FOR TERRACES



The system is completely safe as panels do not hang from the ceiling, contrary to other products on the market.

FOR TERRACES AND PERGOLAS



CLAROFLEX® Pivot glazing allows you to use your pergola during the cold season with the help of any heater appliances.

FOR TERRACES AND PERGOLAS



There are a myriad possible configurations to customise glass, for instance, tinted, patterned, etched, solar control, etc.

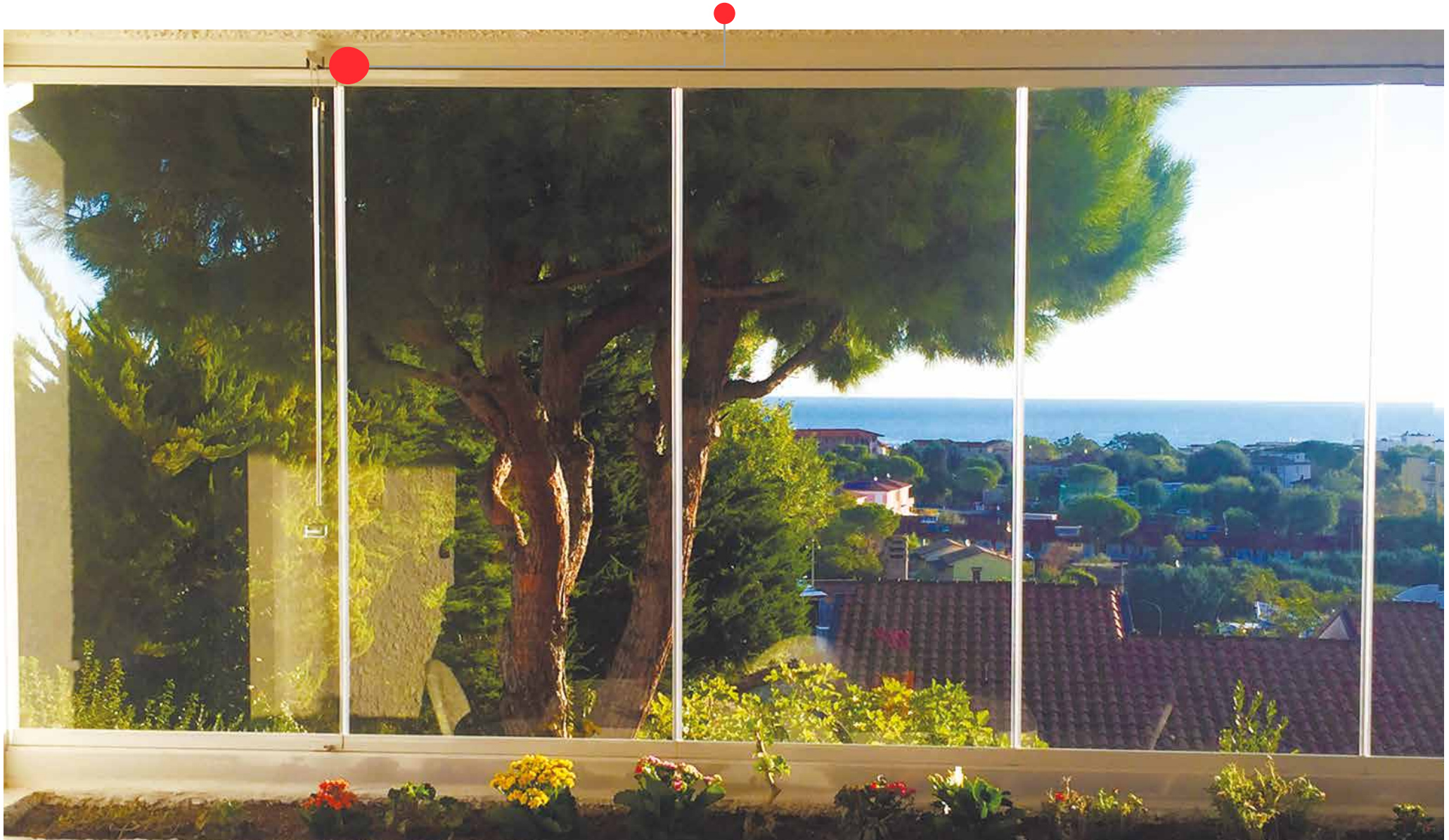
FOR BALCONIES

CLAROFLEX® Pivot prevents the furniture in your balcony from being damaged by the weather.



FOR BALCONIES

CLAROFLEX® Pivot offers a ventilation position, where the door is locked in a semi-open state, providing ventilation to your balcony.



FOR PORCHES AND ENTRANCES



FOR ATICS



FOR THE HOSPITALITY SECTOR



CLAROFLEX® glazing system creates additional seating space for guests in your restaurant.

FOR THE HOSPITALITY SECTOR

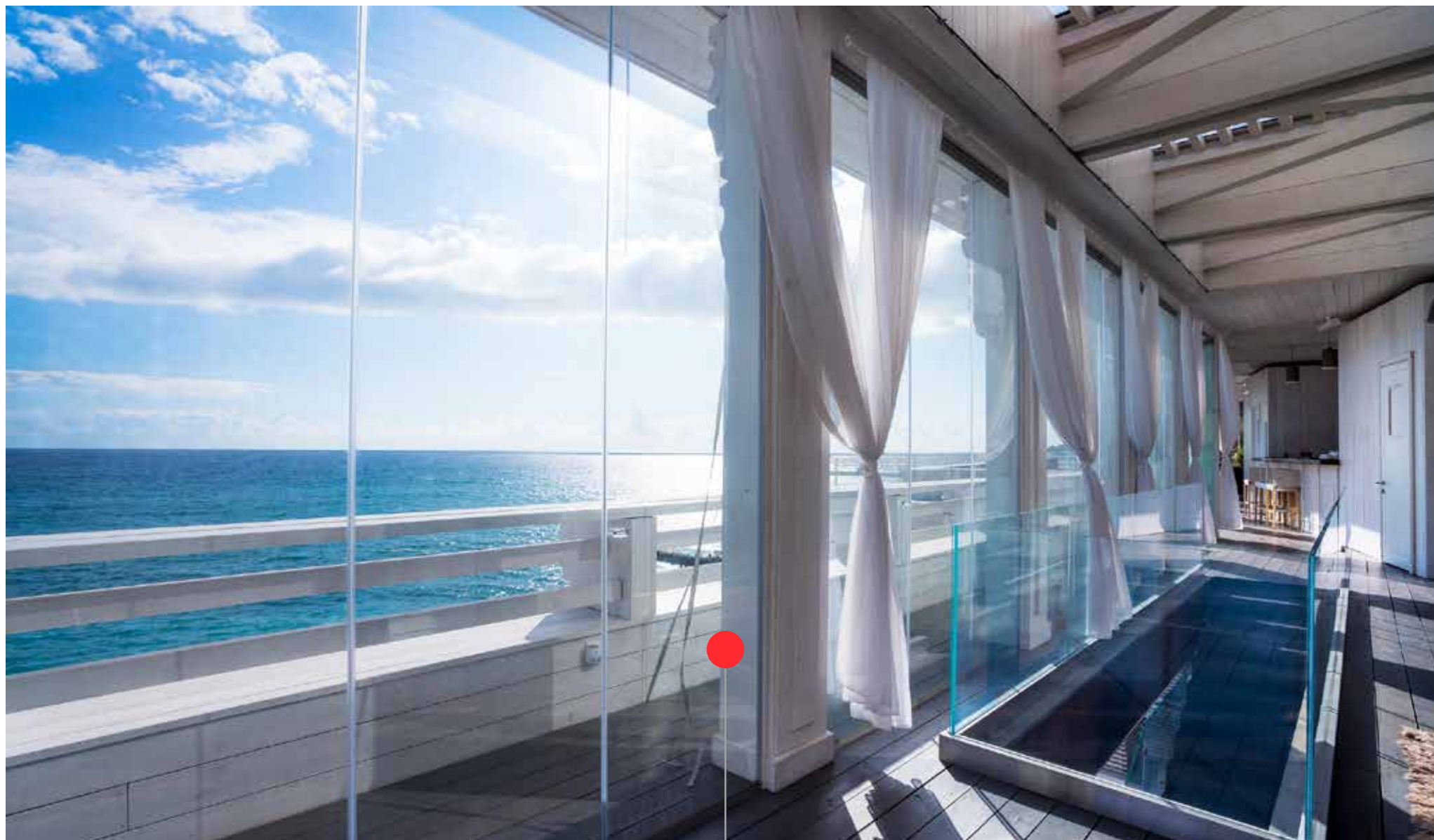


FOR THE HOSPITALITY SECTOR



CLAROFLEX® Pivot is suitable to glaze both a large size hotel complex or restaurants with an ample seating area.

FOR THE HOSPITALITY SECTOR



The ventilation configuration allows you to adjust the temperature inside the glazed area for better comfort of the people using the space.

FOR THE HOSPITALITY SECTOR



The **bottom track** can be completely recessed into the floor to make passage easier.

FOR POOL AREAS AND SPAS



FOR INTERIORS



CERTIFICATIONS

EU IPO
OFICINA DE PROPIEDAD INTELECTUAL DE LA UNION EUROPEA
CERTIFICADO DE REGISTRO

Documento N° 24129 **ensatec**

**RESISTENCIA A LAS CARGAS DE VIENTO.
REQUISITOS DE PRESTACIONES INCLUIDA LA SEGURIDAD.**

Empresa: Distribuidora de Sistemas de Cierre, S.L.
P.O. El Cervo de Calatayud, 47. 50110 Calatayud, Zaragoza, España

Producto: Elementos cerrados de marcos de ventana y puerta.

Estado: Claroflex, Serie Claroflex

Dimensiones (mm): 1,2 x 1,2 x 1,2 2005 x 2005

Materia: Aluminio

Fecha de Emisión: 25.06.2014

DECLARACIÓN CE DE CONFORMIDAD

FABRICANTE: **CLAROFLEX**

PROYECTO: Distribución de sistemas de cierre para ventanas y puertas de aluminio con recubrimiento en polvo para el mercado de la construcción y decoración.

DESCRIPCIÓN DEL PRODUCTO: Elementos cerrados de marcos de ventana y puerta.

DECLARACIÓN: Declaro que el producto mencionado anteriormente cumple con los requisitos de la Directiva 89/105/CEE y la Directiva 90/269/CEE.

DECLARACIÓN DEL PRODUCTO: Declaro que el producto mencionado anteriormente cumple con los requisitos de la Directiva 89/105/CEE y la Directiva 90/269/CEE.

DECLARACIÓN DEL FABRICANTE: Declaro que el producto mencionado anteriormente cumple con los requisitos de la Directiva 89/105/CEE y la Directiva 90/269/CEE.

CLAROFLEX





ensatec

Document Nr. 241259

Page 1 of 9

**RESISTANCE TO WIND LOADS.
PERFORMANCE REQUIREMENTS INCLUDING SAFETY**

Company Distribuidora De Sistemas De Cierre, S.L.
P.I. El Cerro de Cártama, c/ Nicolás redondo,
Parcela nº 1. Málaga.

Test Standard:
EN 1932:2014
External blinds and shutters - Resistance to
wind loads - Method of testing and
performance criteria
EN 13659:2016
Shutters and external venetian blinds -
Performance requirements including safety

Product Frameless sliding glazing enclosure with
three leaves left.

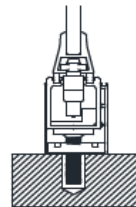
Model Claroflex. Series: Cortina

Total dimensions, (L x H) mm 2065 x 2005

Material Aluminum

Test Date 23.06.2016

Section/Photography:



**Resistance to wind loads
Performance requirements
including safety**

CLASS 6



Navarrete , 4th september 2017

Luis García Viguera
Department Director

This document reflects the results of the reports of test nr. 241259 , test date 23.06.2016
For proper identification of the characteristics of tried materials and results it is essential to have the attached documentation.
Informative document submitted to the written report Spanish.



CE CERTIFICATE OF COMPLIANCE Ed.1
(Under the CE Product Directives of construction 89/106/CEE)

MANUFACTURER: DISTRIBUIDORA DE SISTEMAS DE CIERRE S. L.
Calle José Calderón, s/n, aptdo. de correos, 30,
parcela 350, 29590 Málaga, Spain

PRODUCT: FRAMELESS GLAZING SYSTEM

Declares that, the product mentioned, it has been developed and
manufactured under regulation of directive 89/106/CEE **PRODUCTS FOR
CONSTRUCTION** and complies with the specifications from the appendix of the
standards:

UNE EN 14351 – 1: 2006 Frameless Glazing Systems without vertical profiles,
according to the following performances

Model – Series	Claroflex – Frameless Glazing Systems
Material	Aluminium
Glazing	10 mm Monolithic Tempered Glass
Air Permeability	Class 2
Wind Resistance	Class 6
Hazardous Substances	Comply with present statutory regulations
Date of test	23/06/2016

Type test made by the Laboratory nº 1668 ENSATEC, S. L.,
Polígono Lenticares – Avda. Lenticares, nº 4-6, Navarrete (La Rioja), Spain.

The following standards test have been follow:

- UNE-EN 1932:2014. Resistance to wind loads.
- UNE-EN 13659:2004+A1:2009, UNE-EN 13659:2016. Performance requirements included the security.
- UNE-EN 13659:2016. Performance requirements included the security.
- UNE-EN 13527:1999. Manoeuvre strength measurement.
- UNE-EN 1026:2000. Windows & doors. Air Permeability.
- UNE-EN 1027:2000. Windows & doors. Water tightness.

DISTRIBUIDORA DE SISTEMAS DE CIERRE, S. L., is only responsible with this
Certificate of Compliance for the products provided by our Company, and
produced/fabricated under our technical specifications and procedures.

Francisco Javier Oña González

Cártama, June 23, 2016

Administrator

**DISTRIBUIDORA DE
SISTEMAS DE CIERRE, S.L.**



Registrado / Registered 24/03/2016

No 014404149

**OFICINA DE PROPIEDAD INTELECTUAL DE LA
UNIÓN EUROPEA
CERTIFICADO DE REGISTRO**

Se expide el presente Certificado de Registro para la Marca de la Unión Europea que se identifica a continuación. Las menciones y las informaciones relativas a tal marca han sido inscritas en el Registro de Marcas de la Unión Europea.

**EUROPEAN UNION INTELLECTUAL PROPERTY
OFFICE
CERTIFICATE OF REGISTRATION**

This Certificate of Registration is hereby issued for the European Union trade mark identified below. The corresponding entries have been recorded in the Register of European Union trade marks.

CLAROFLEX

*El Director Ejecutivo / The Executive
Director*

António Campinos

www.euiipo.europa.eu



Manufacturer: Distribuidora de Sistemas de Cierre S.L. Calle José Calderón, s/n, aptdo. de correos, 30, parcela 350, 29590 Málaga, Spain

16

CLAROFLEX® Frameless glazing system



Characteristics:

Wind resistance	CLASS 6
Acoustic performance	34 db
Thermal transmittance	5,6 W/m ² K
Air permeability	CLASS 2

Dangerous substances, complies with current statutory regulations.



 C/ JOSÉ CALDERÓN, PARCELA 350, NAVE S/N, APDO. CORREOS 30, 29590, MÁLAGA

 info@claroflex.com  www.claroflex.com